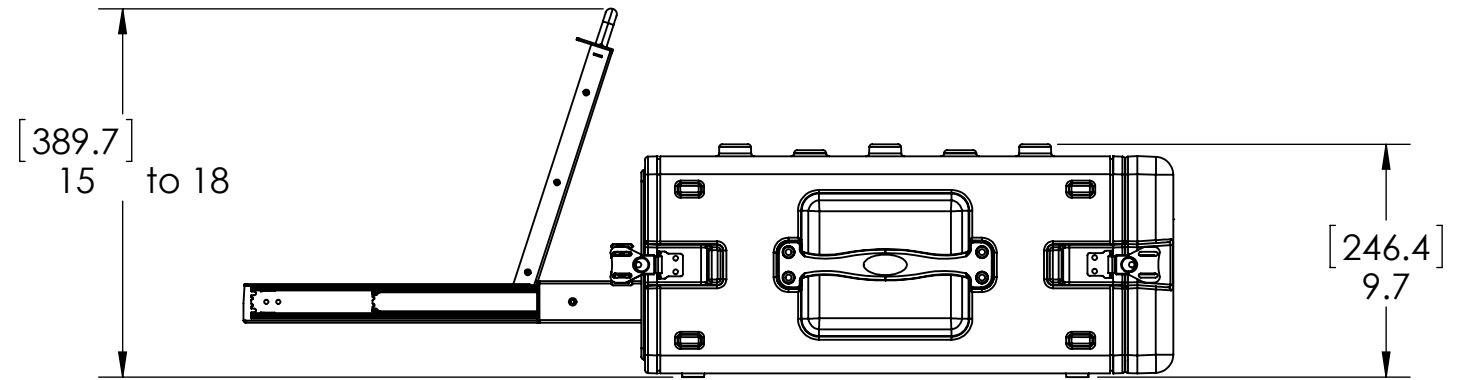
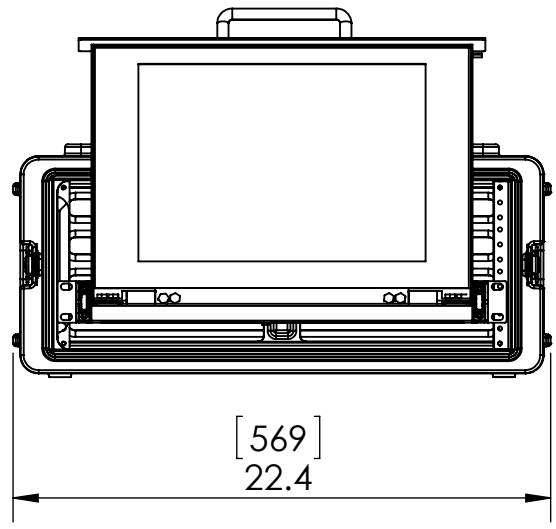
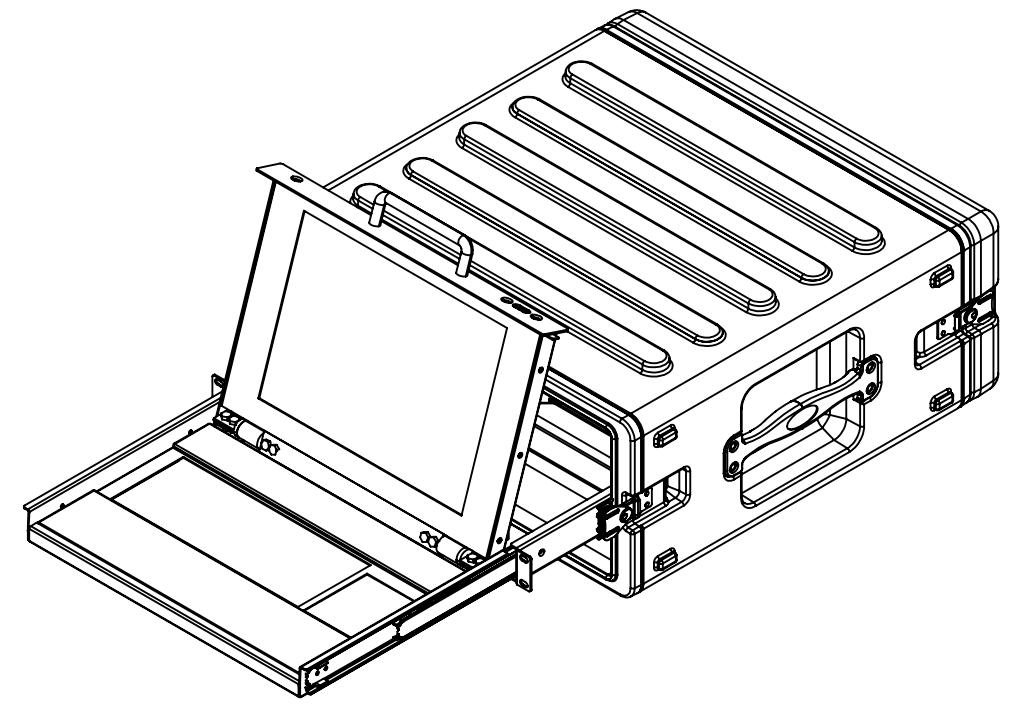
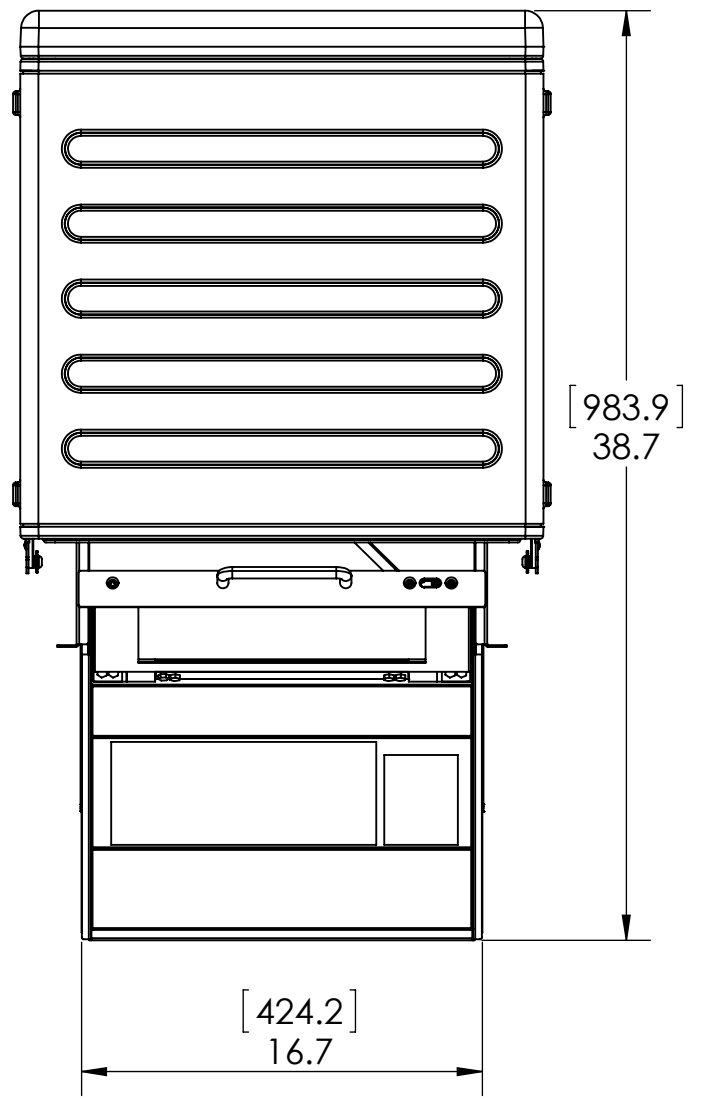


8 7 6 5 4 3 2 1

PROPRIETARY AND CONFIDENTIAL
 THE INFORMATION CONTAINED IN THIS DRAWING IS THE SOLE PROPERTY OF SUBAQUA IMAGING SYSTEMS INC. ANY REPRODUCTION IN PART OR AS A WHOLE WITHOUT THE WRITTEN PERMISSION OF SUBAQUAIMAGING SYSTEMS IS PROHIBITED.



D
C
B
A

D
C
B
A

UNLESS OTHERWISE SPECIFIED:

*** ALL DIMENSIONS ARE **POST ANODIZE OR PLATING** ***
 DIMENSIONS ARE IN INCHES [MM]
 TOLERANCES:
 LINEAR: 0.XX ±.020
 DIAMETER: 0.XX ±.01
 LINEAR: 0.XXX ±.005
 DIAMETER: 0.XXX ±.002
 HOLES: ±.003
 FRACTIONAL ±1/64
 ANGULAR: ±.5°

SURFACE FINISH ALL \checkmark ⁶⁴
 SURFACE FINISH SEALS \checkmark ³²
 REMOVE ALL SHARP EDGES AND BURRS

CAGE CODE: 6JFR2

USED ON	SIZE/LENGTH CONDITION	MATERIAL
POST PROCESS	PLATING	ANODIZE N/A
NEXT ASSEMBLY	NOTES	COLOR N/A
FILE NAME Z:\775_DVR_CCU\NVR\Rackmount System\775-060-003_Rack_ASSY		DO NOT SCALE DRAWING

SUBAQUA IMAGING SYSTEMS INC		SubAqua Imaging Systems, Inc 1134 Opal Street, San Diego, CA 92109, USA (858) 414 0383 www.subaquaimaging.com	
ORIG ENG	R.GRAY	DATE	6/15/2016
ORIG DWG	R.GRAY	DATE	6/19/2016
LAST UPDATE	Ronan	DATE	6/19/2017
REL TO PROD			
CHECKED BY			
TITLE: PORTABLE VMS		SIZE B	REV DCD
DWG. NO. 775-060-003		SCALE: 1:8	WEIGHT:
SHEET 1 OF 1			

8 7 6 5 4 3 2 1